

IMPORTANT

SAFETY PRECAUTIONS

- To reduce the risk of death, personal injury or property damage from fire, electric shock, falling parts, cuts/abrasions, and other hazards, read all warnings and instructions included with and on the fixture box and all fixture labels.
- Before installing, servicing, or performing routine maintenance upon this equipment, follow these general precautions.
- Commercial installation, service and maintenance of luminaires should be performed by a qualified licensed electrician.
- For the installation: If you are unsure about the installation or maintenance of the luminaires, consult a qualified licensed electrician and check your local electrical code.
- To prevent wiring damage or abrasion, do not expose wiring to edges of sheet metal or other sharp objects.
- Do not make or alter any open holes in an enclosure of wiring or electrical components during kit installation.

INSTALLATION NOTE

- Turn off electrical power at fuse or circuit breaker box before wiring fixture to the power supply.
- Turn off the power when you perform any maintenance.
- Verify that supply voltage is correct by comparing it with the luminaire label information.
- All wiring connections should be capped with UL approved wire connectors.

WARNING

- Avoid direct eye exposure to the light source while it is on.
- Account for small parts and destroy packing material, as these may be hazardous to children.
- Risk of burn. Disconnect power and allow fixture to cool before handling fixture.

SELECT WATTAGE and/or COLOR

All models are wattage and color (CCT) selectable, adjust with the dip switches on or near the LED driver.

WIRING

Verify voltage of AC supply before connect. Separate and cap the 0/1-10V dimming wires, if opt not to utilize the dimming function. (Figure 1)

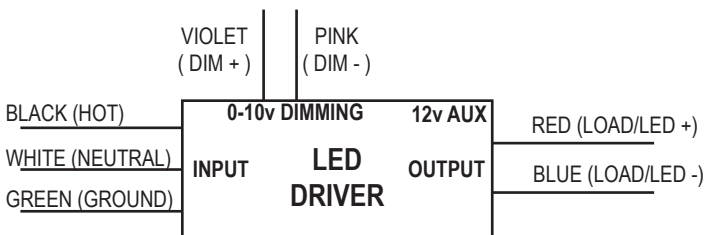


FIG.1

MOUNTING OPTIONS

Chain Mount

- 1 Install the Chain and Wire Hanger - Insert the chain into the provided wire hanger. Secure the other end of the chain to a structure. (Figure 2) .
- 2 Attach the LED Luminaire - Install the wire hanger into the slots on the top of the LED luminaire end piece. Ensure the wire hangers are fully engaged into the slots on the top channel.(Figure 3)
- 3 Connect Wiring and Final Check - Connect the LED high bay wiring to incoming power lines, referring to the Wiring Diagram (Figure 1). Use only UL listed wire or conduit (not supplied). Note that the purple and pink wires inside the driver compartment are for 0-10V (low voltage) dimming and should be connected to low voltage wiring only. Double-check all hanging hardware before proceeding to the next installation.

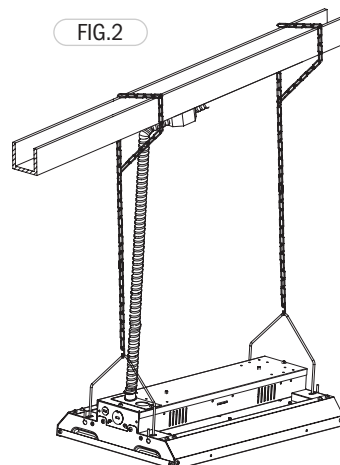


FIG.2

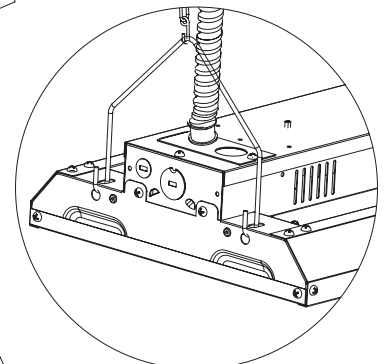
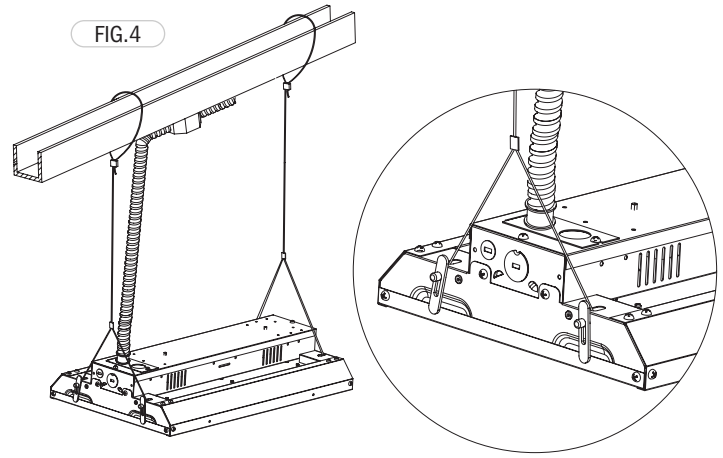


FIG.3

MOUNTING OPTIONS continued

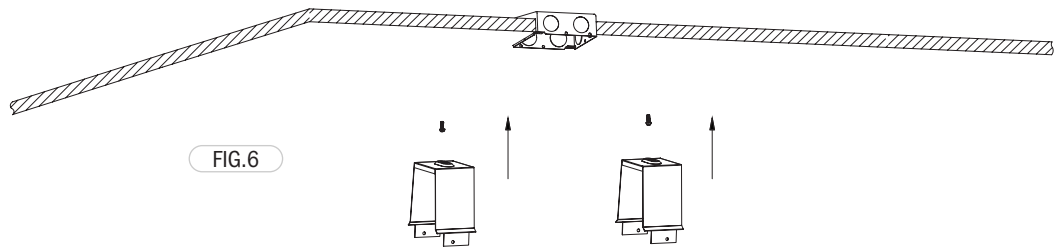
Aircraft Cable Mount (optional)

- 1 Install the aircraft cable - Secure the aircraft cables to a structure such as beam or ceiling. (Figure 4) .
- 2 Attach the LED Luminaire - Affix the aircraft cables into the slots on the top of the LED luminaire end piece. Ensure the metal pieces are fully engaged into the slots on the top channel.(Figure 5)
- 3 Connect Wiring and Final Check - Connect the LED high bay wiring to incoming power lines, referring to the Wiring Diagram (Figure 1). Use only UL listed wire or conduit (not supplied). Note that the purple and pink wires inside the driver compartment are for 0-10V (low voltage) dimming and should be connected to low voltage wiring only. Double-check all hanging hardware before proceeding to the next installation.

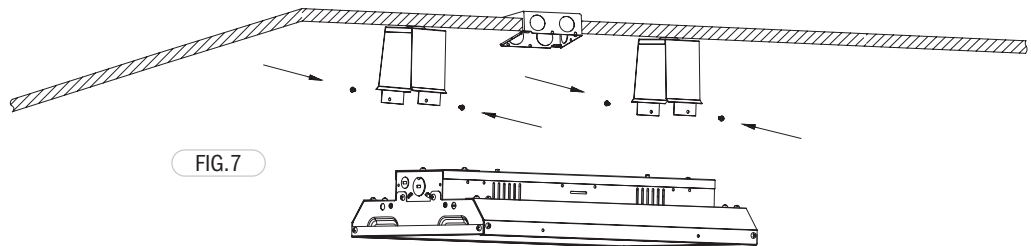


Surface Mount (optional)

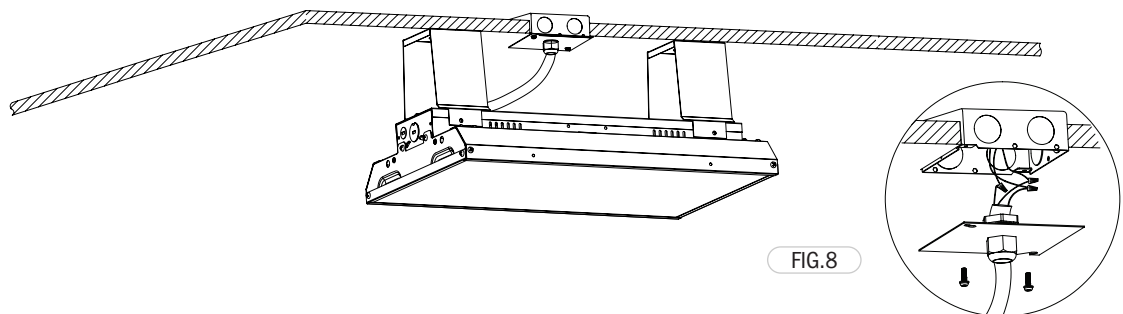
- 1 Secure the surface mount bracket to the ceiling using adequate screws (not supplied). (Figure 6)



- 2 Affix the fixture to the bracket with adequate screws. (Figure 7)



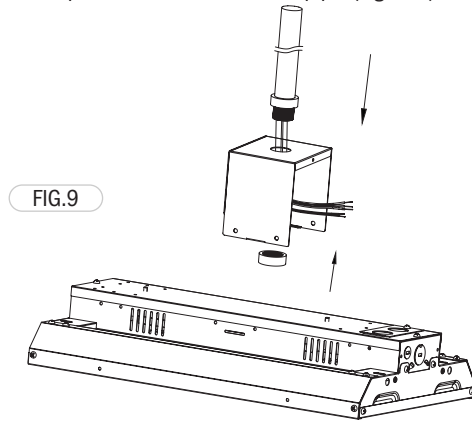
- 3 Connect the main power wires to the fixture wires, referring to the Wiring Diagram (Figure 1). Ensure all wire connectors or terminal caps are placed inside the junction box or fixture driver box. (Figure 8)



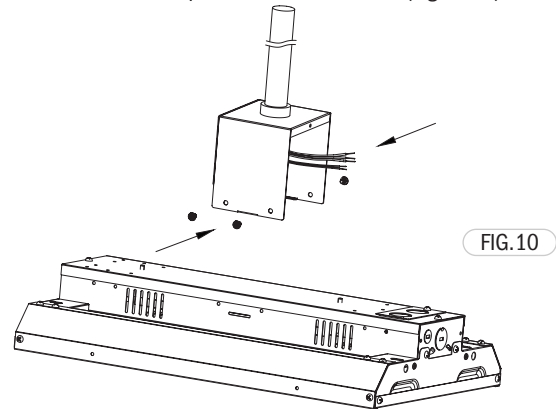
MOUNTING OPTIONS continued

Conduit Mount (optional)

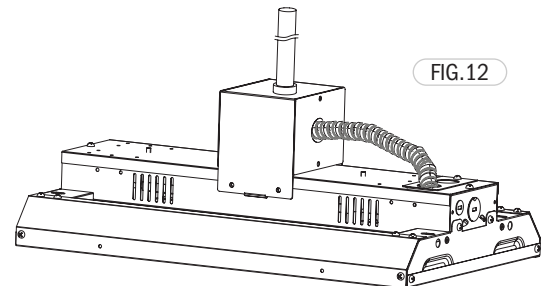
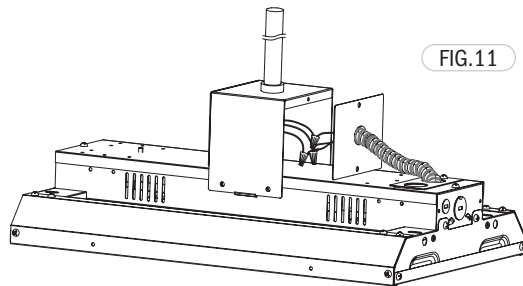
1 Secure the pendant box to the conduit pipe. (Figure 9).



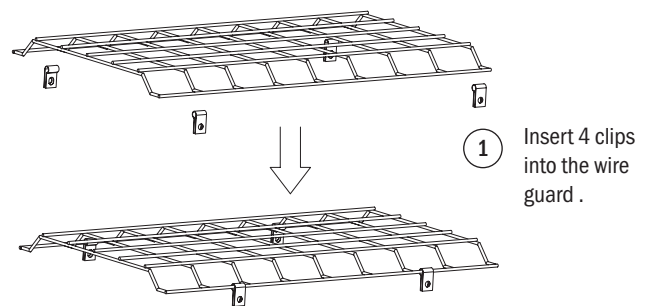
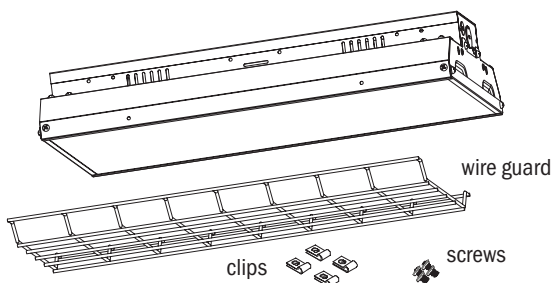
2 Attach the fixture to the pendant box with screws. (Figure 10)



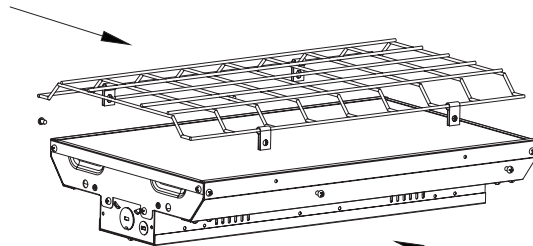
3 Make the wiring connections according to the Wiring Diagram (Figure 1). Ensure the bridged wires are UL listed and wrapped with flexible protective conduit (not supplied). Install the both side covers of the bracket with screws to hide the wires. (Figure 11) All wire connectors or terminal caps should be placed inside the pendant box. (Figure 12)



WIRE GUARD optional



2 Secure the clips by screwing them into the pre-punched holes on the fixture body.



3 Completed.

