

### IMPORTANT

**SAFETY PRECAUTIONS**

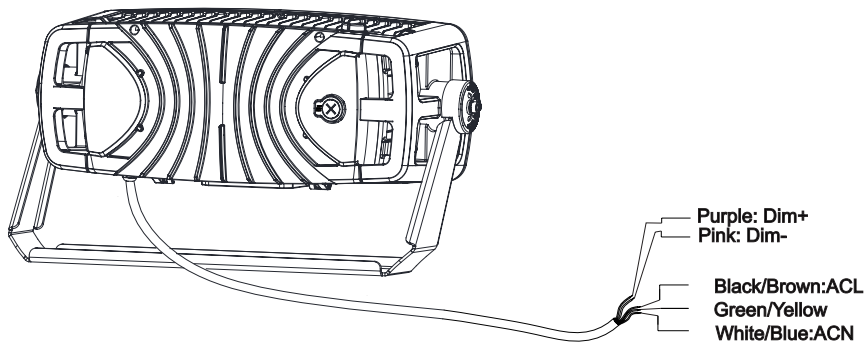
- Installation should only be performed by individuals with electrical expertise to prevent potential electrical shock or fire hazards.
- Avoid testing this LED light with any electric generator.
- Ensure installation adheres to local, regional, and national laws and regulations.
- Always disconnect power before installation or maintenance.
- Proper grounding is essential for safety.
- Avoid installation in hazardous environments. The ambient temperature should not exceed the maximum rated operating temperature specified for this product.
- Do not install the product during rain to prevent the risk of lightning strikes and other accidents.
- Wear gloves during the installation to prevent injuries.

**INSTALLATION NOTE**

- Confirm that the supply voltage corresponds with the voltage range specified on the product label.
- Use only wires that meet UL standards or applicable local requirements. For voltages AC120-277V, use wires of at least 16 AWG; for AC220-480V, use wires of at least 18 AWG.
- Ensure the use of a listed waterproof strain relief bushing when connecting the power supply cord to an outlet box.
- Do not drill into the fixture unless specifically instructed to do so in the installation guide. Apply silicone sealant to all wire connectors and any openings that are drilled into the fixture to ensure a waterproof seal.
- This product supports only passive dimmers with a 0-10V interface.
- In case of any visible smoke or sparking from the wire, immediately disconnect the power and alert the appropriate personnel.

### WIRING

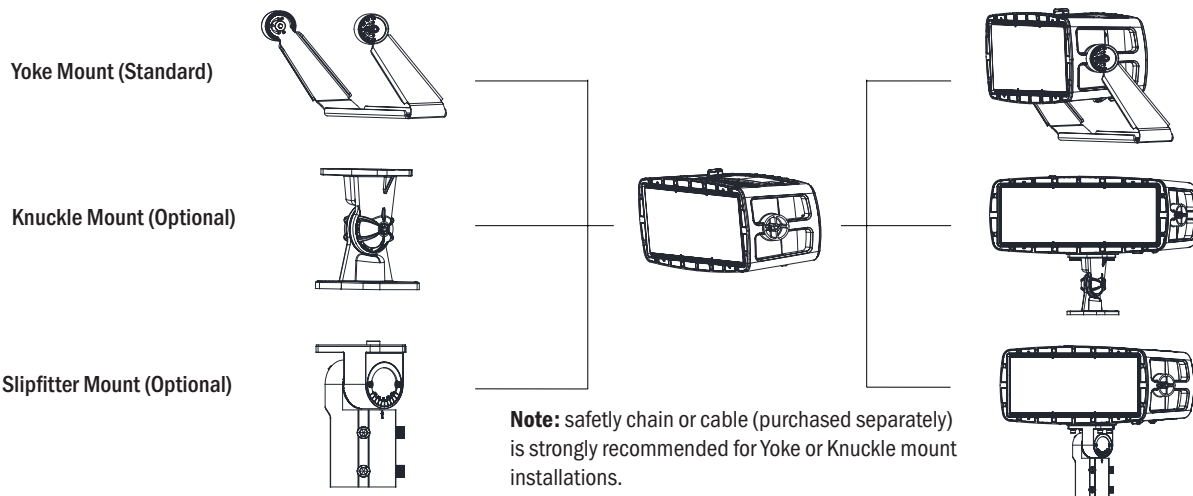
Verify input AC voltage before connect. Separate and cap the 0/1-10V dimming wires if opt not to utilize the dimming function.



**Note:** for 480v model/setting, connects Black and White to separated phase.

### MOUNTING OPTIONS

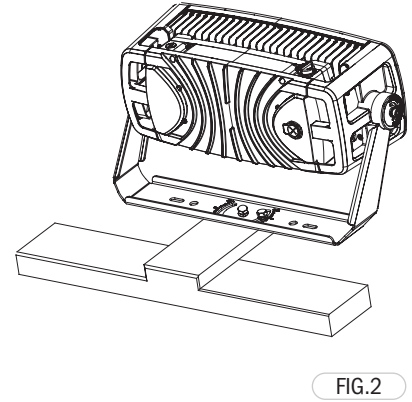
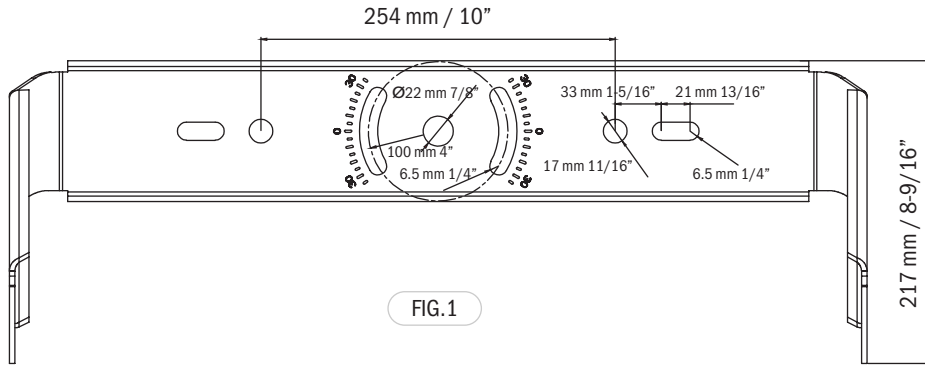
This fixture has three bracket options. It comes standard with Yoke bracket.



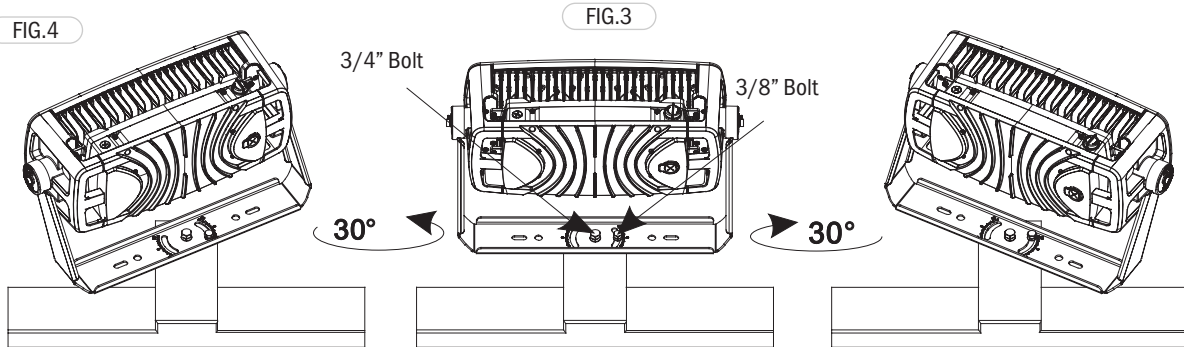
**Note:** safely chain or cable (purchased separately) is strongly recommended for Yoke or Knuckle mount installations.

Yoke Mount

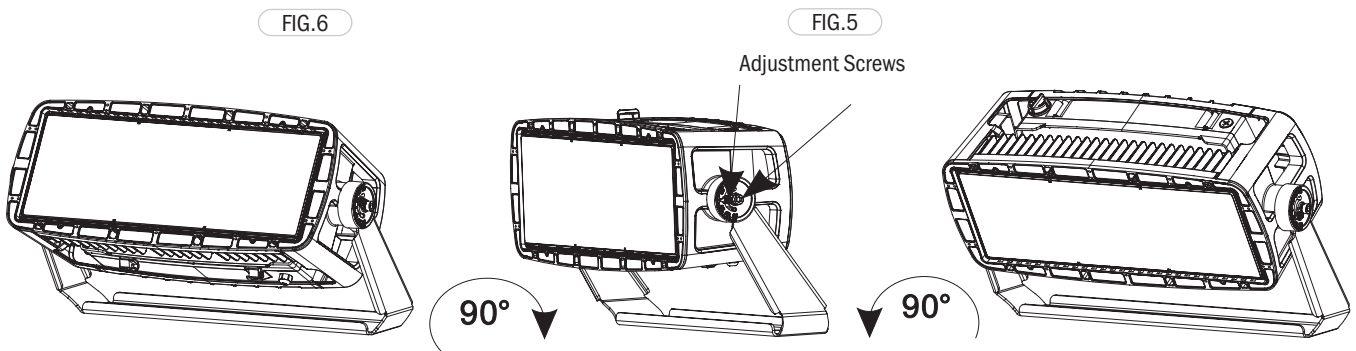
- 1 If the fixture is to be mounted on a larger surface, drill holes as indicated in Figure 1. (Figure 1). Secure the fixture using the appropriate hardware as necessary for a stable installation.
- 2 If the fixture is to be mounted to a diving board (Figure 2), secure it in place using 3/4" and 3/8" bolts and nuts to ensure a firm and safe installation, as shown in (Figure 3).



- 3 To set the left/right orientation, loosen the 3/4" and 3/8" bolts at the base of the Yoke Mount Bracket. Adjust the fixture to the required position. After positioning, retighten the bolts to secure the fixture in its new orientation. (Figure 4).



- 4 Use an hex wrench to loosen the adjustment screw. (Figure 5) Once the screw is loosened, adjust the angle of the fixture as needed. Retighten the bolts to secure the fixture in its new orientation. (Figure 6)



- 5 Secure the fixture to the pole or surface with safety cable or chain (purchase separately)

**Knuckle Mount**

- 1 Attach the knuckle bracket to the fixture as shown (Figure 7). The knuckle bracket allows for an adjustable projection angle within a specified range.

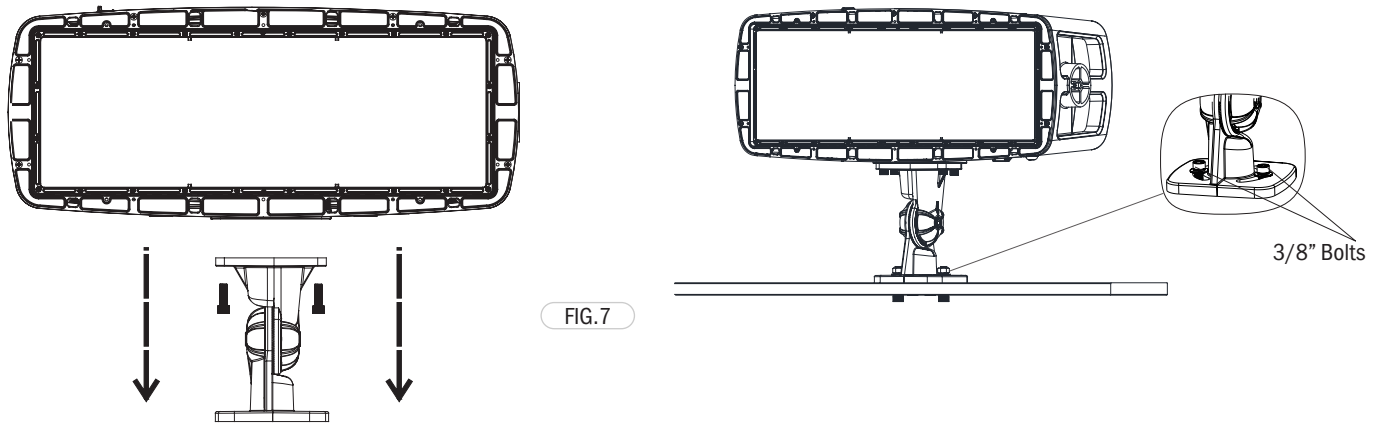


FIG. 7

- 2 Adjust the lighting angle vertically, up or down, according to the required illumination needs. The fixture remains adjustable when hoisted or installed on a crossbar (Figure 8)

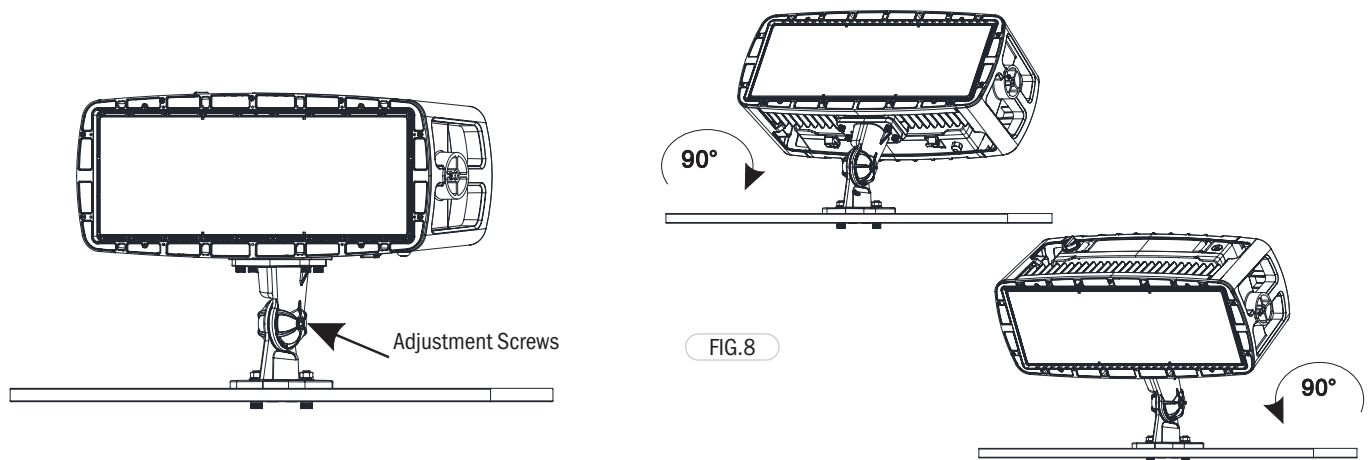


FIG. 8

- 3 Adjust the lighting angle horizontally to the left or right as needed to achieve optimal lighting coverage. (Figure 9)

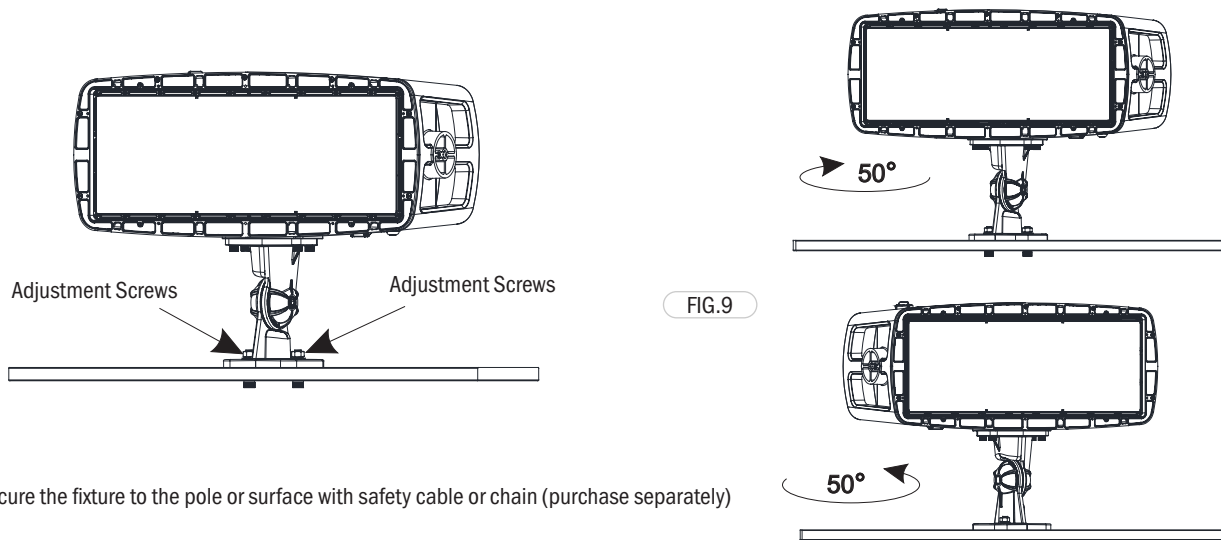
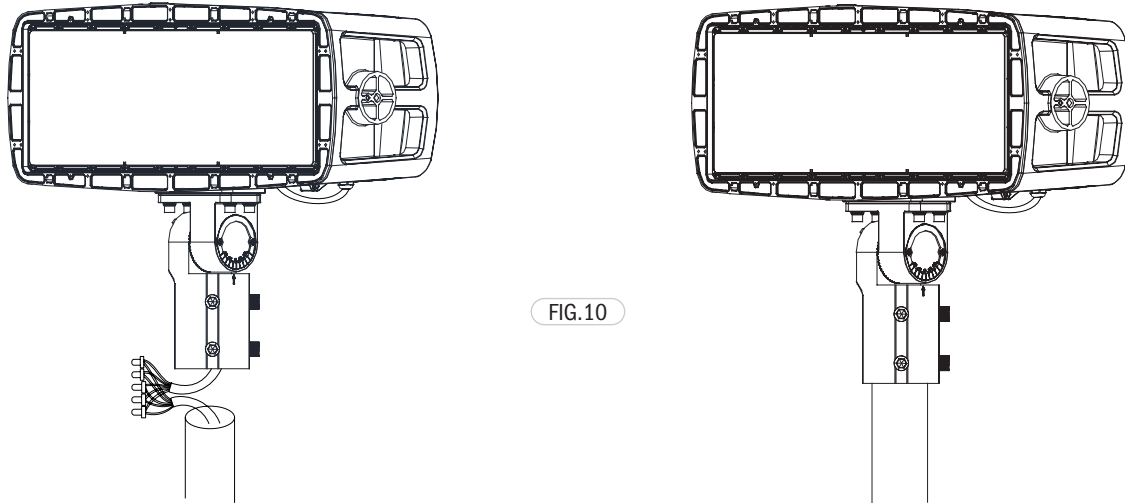


FIG. 9

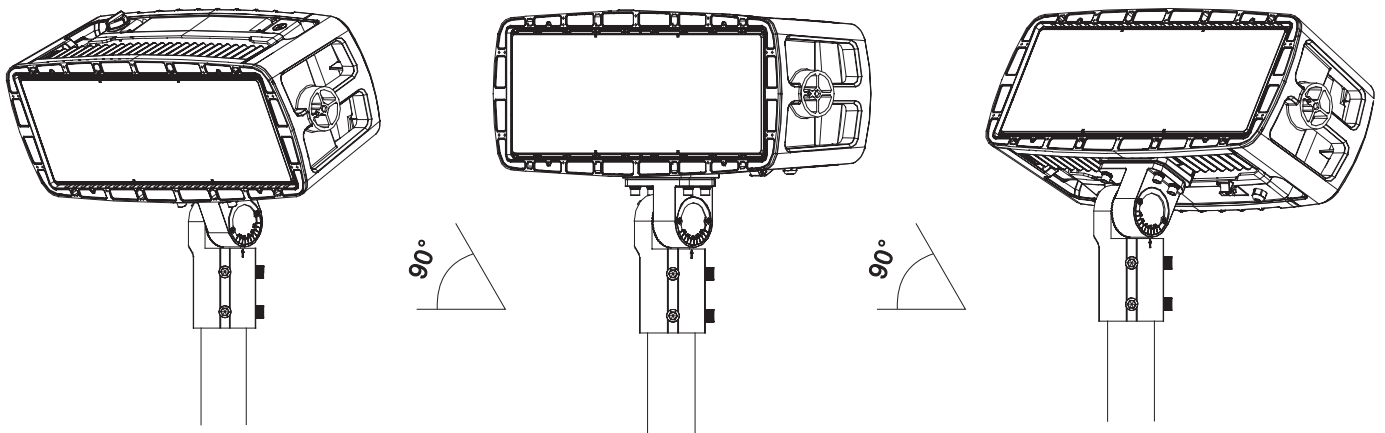
- 4 Secure the fixture to the pole or surface with safety cable or chain (purchase separately)

Slipfitter Mount

- 1 Attach the slipfitter bracket to the pole as shown (Figure 10). The bracket slipfits up to 2-3/8" tenon.



- 2 Adjust the lighting angle as needed to achieve optimal lighting coverage. (Figure 11)



### GLARE SHEILD

When the light shield function is needed, attach the light barrier to the luminaire with a screwdriver as required to ensure it is securely fixed in place.(Figure 12). The shield can be installed in either side of the fixture, allowing for customization based on specific lighting needs or preferences.

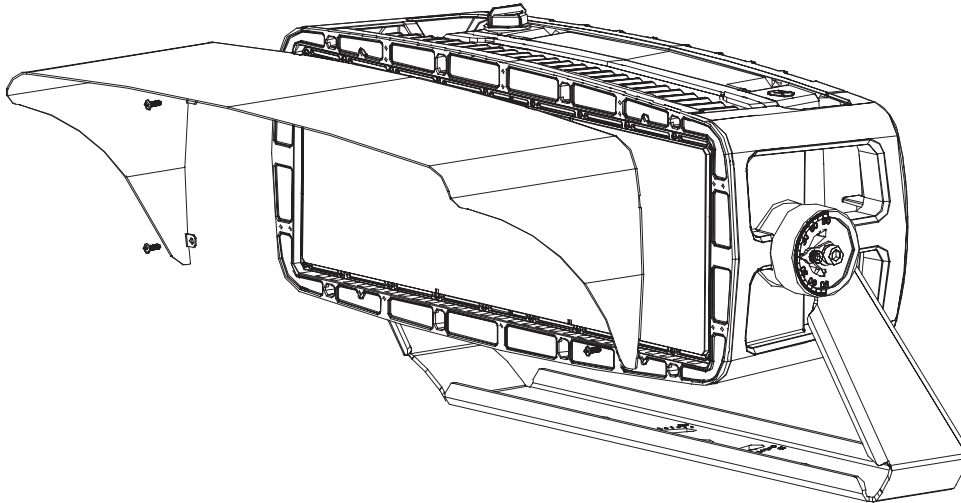


FIG.12

### ZHAGA TWIST-LOCK LIGHTING CONTROL

When a lighting control is not needed, a sealing cap is installed on the ZHAGA control receptacle. Refer to (Figure 13) for proper installation guidance. When the photo-cell function is required, install the photocell on the back of the lamp to enable automatic lighting adjustments based on ambient light conditions.

**Note:** the lighting control/ photocell unit should be fully seated and fully turned.

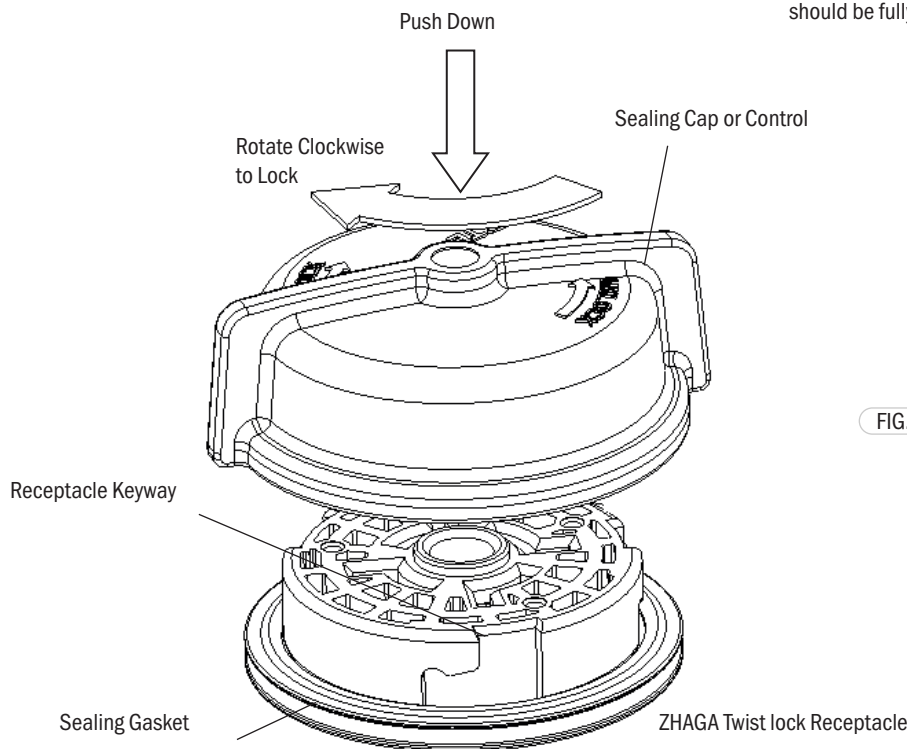


FIG.11